

A

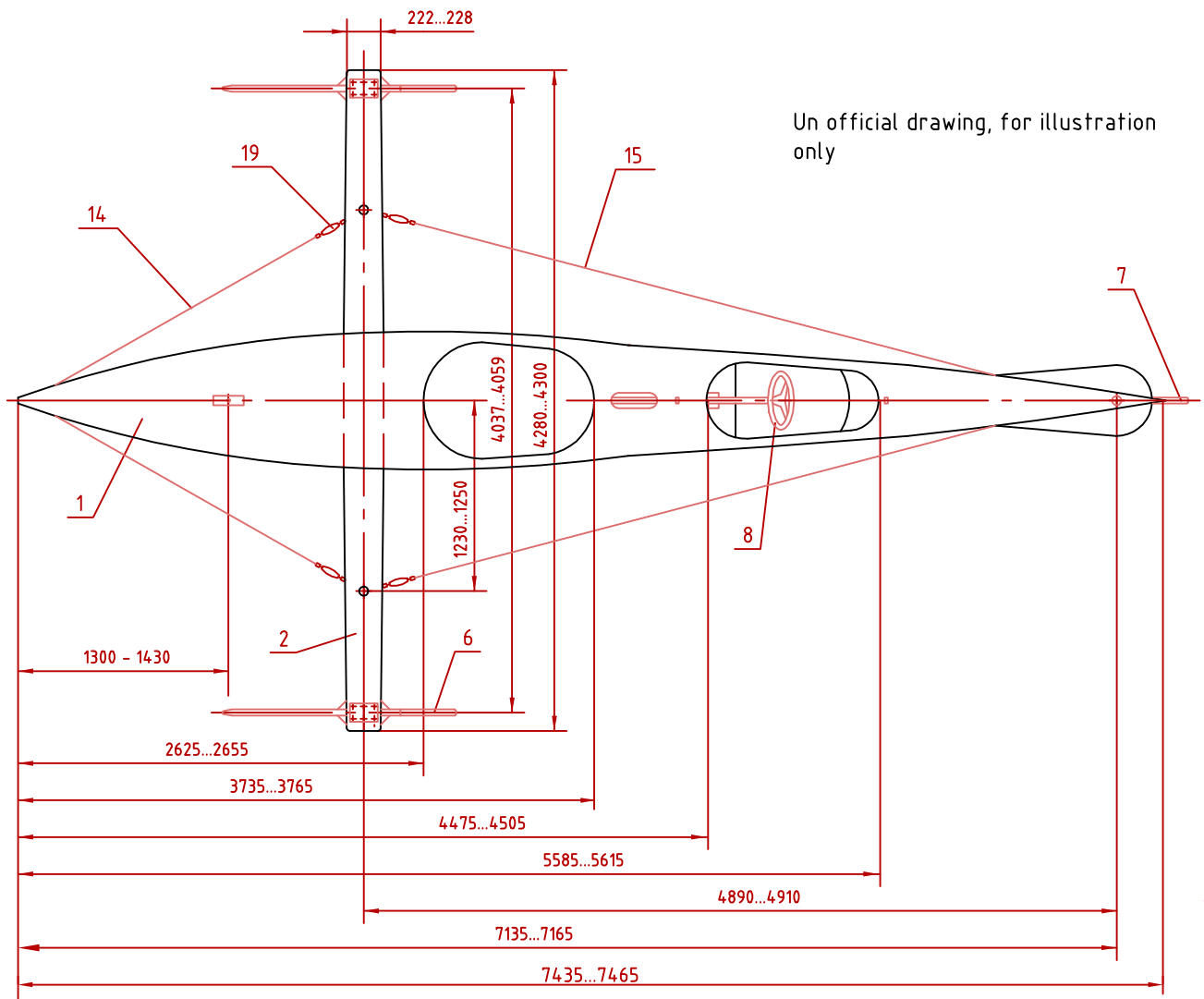
B

C

D

E

F



No	Description	Amount	No	Description	Amount
1	Fuselage	1	12	Shrouds	2
2	Runner plank	1	13	Top-shrouds	2
3	Mast	1	14	Transverse gui	2
4	Boom	1	15	Transverse gui	2
5	Cross-piece	1	16	Sheet	1
6	Side runner	2	17	Rigging screw	1
7	Steering runner	1	18	Rigging screw	2
8	Steering mechanism	1	19	Rigging screw	4
9	Sheet cleats	1	20	Sheet block	7-9
10	Sail	1	21	Sheet block	2
11	Forestay	1			

Itemref	Quantity	Title/Name, designation, material, dimension etc			Article No./Reference	
Designed by Eric_v.Holst	Checked by Kynarpuu	Approved by - date TC - 10/05/99	Filename XVComp2	Date 01/05/99	Scale	
IM-XVIYRA			MonotypeXV			
			Complete-XV2		Edition	Sheet 1/2

1

4