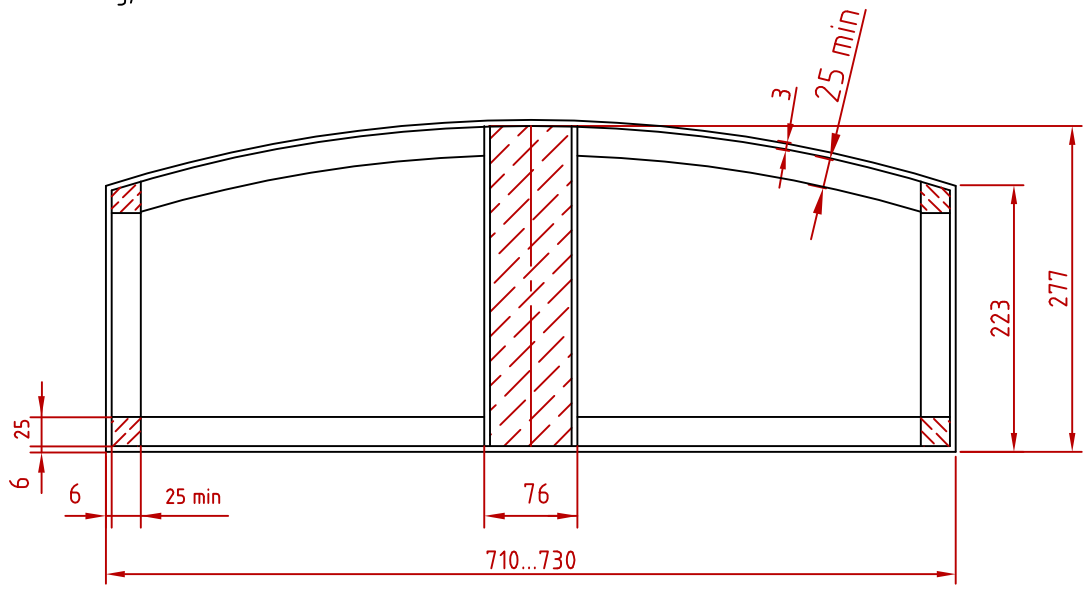


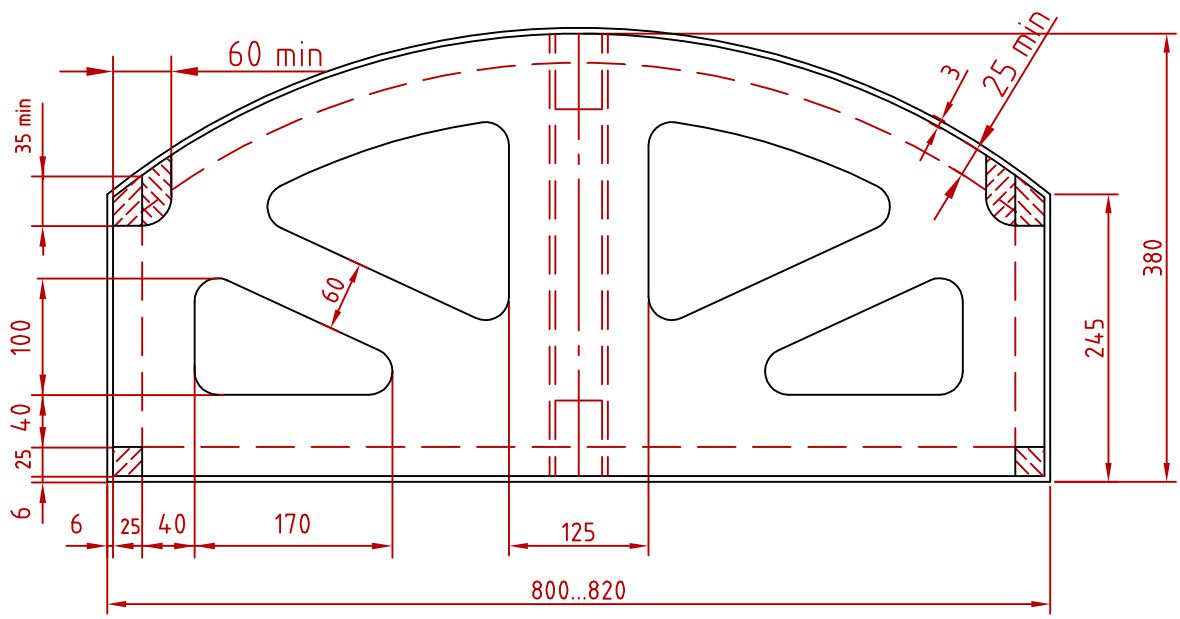
A
B
C
D
E
F

Un official drawing, for illustration only

A-A



B-B



Itemref	Quantity	Title/Name, designation, material, dimension etc			Article No./Reference
Designed by Eric_v.Holst	Checked by Kyynarpuu	Approved by - date TC- 10/05/99	Filename XVfuselage2	Date 01/05/99	Scale
IM-XVIYRA			MonotypeXV		
			Fuselage2	Edition	Sheet 2/2