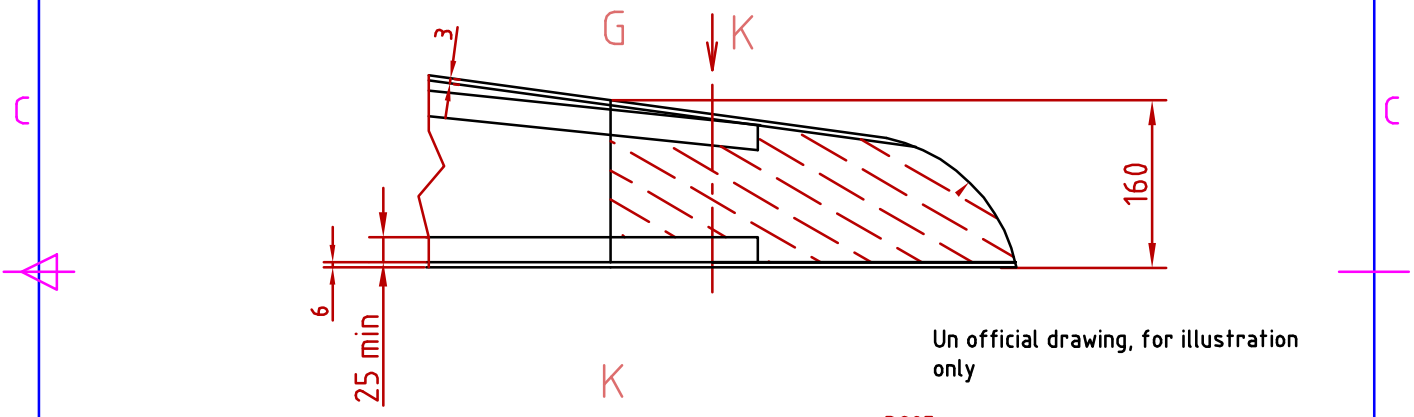
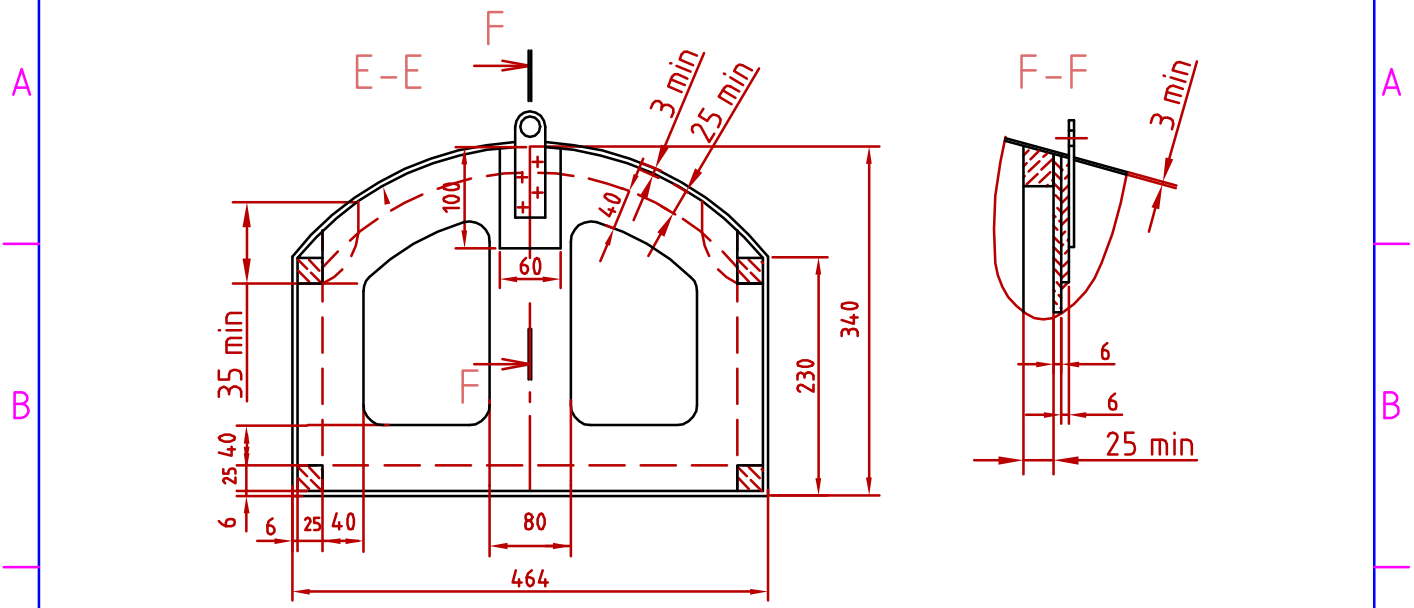
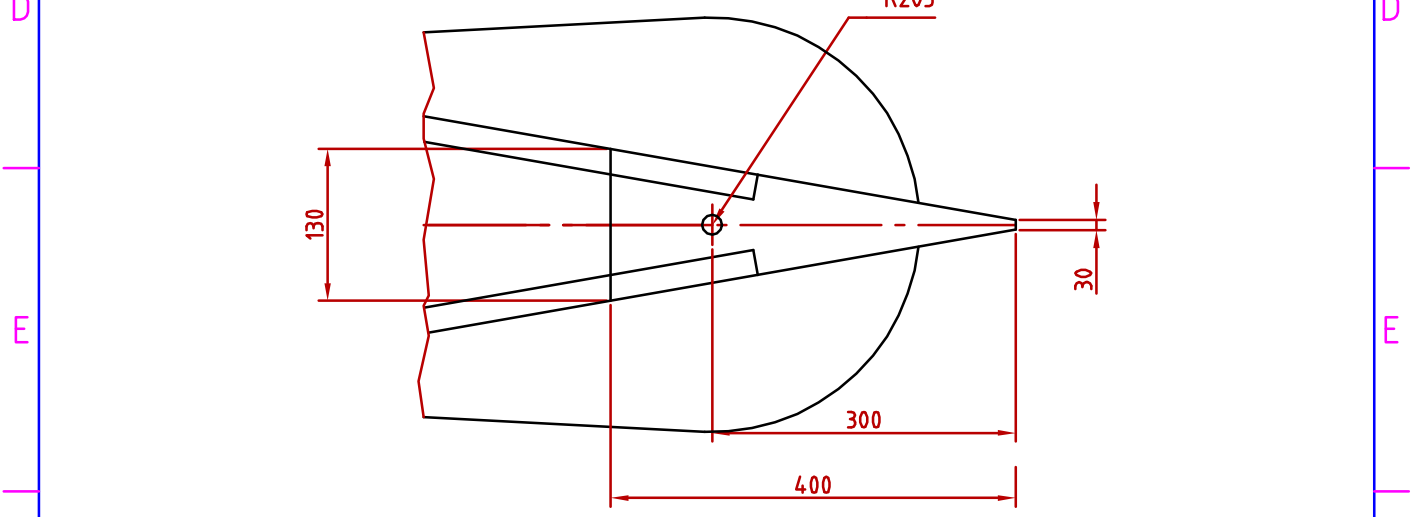


1	2	3	4
RevNo	Revision note	Date	Signature
			Checked



Un official drawing, for illustration only



Itemref	Quantity	Title/Name, designation, material, dimension etc		Article No./Reference	
Designed by Eric_v.Holst	Checked by Kyynarpuu	Approved by - date TC- 10/05/99	Filename XVfuselage4	Date 01/05/99	Scale
IM-XVIYRA			MonotypeXV		
			Fuselage4		Edition 2/4