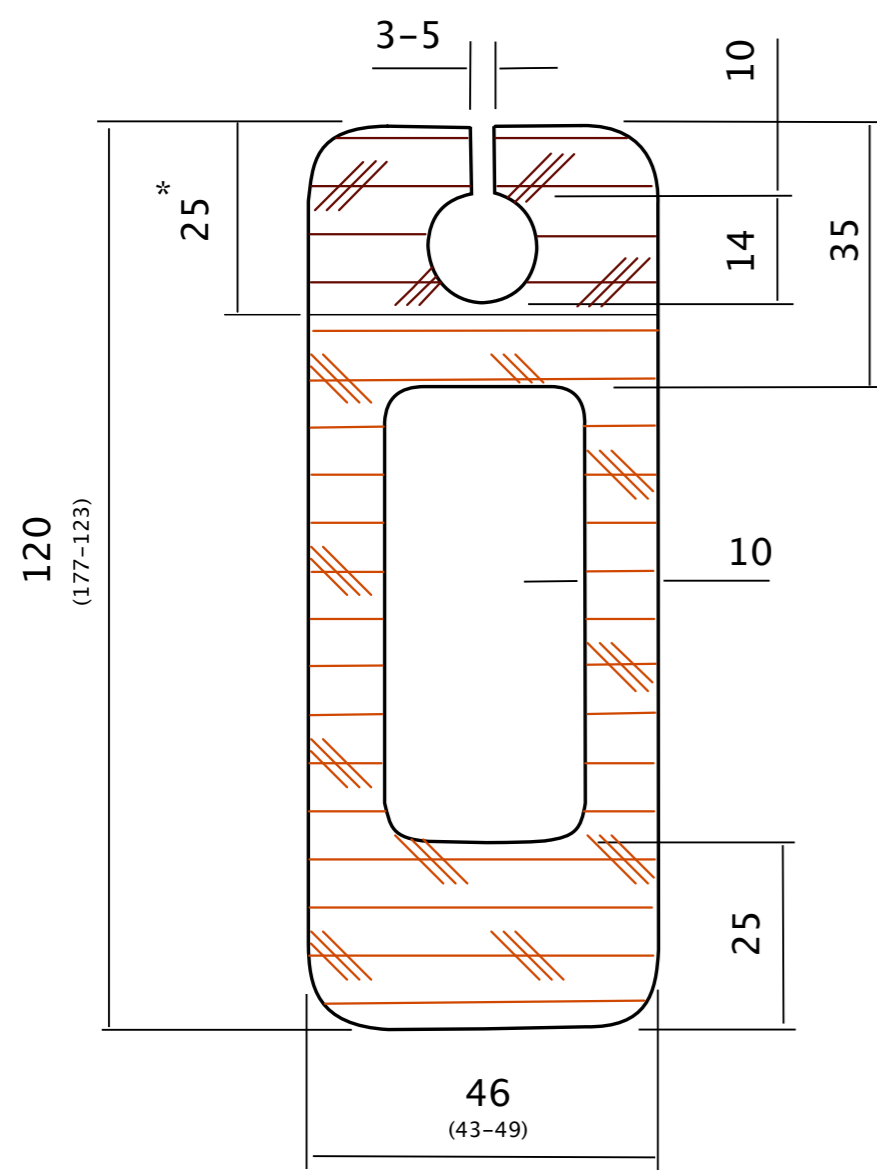
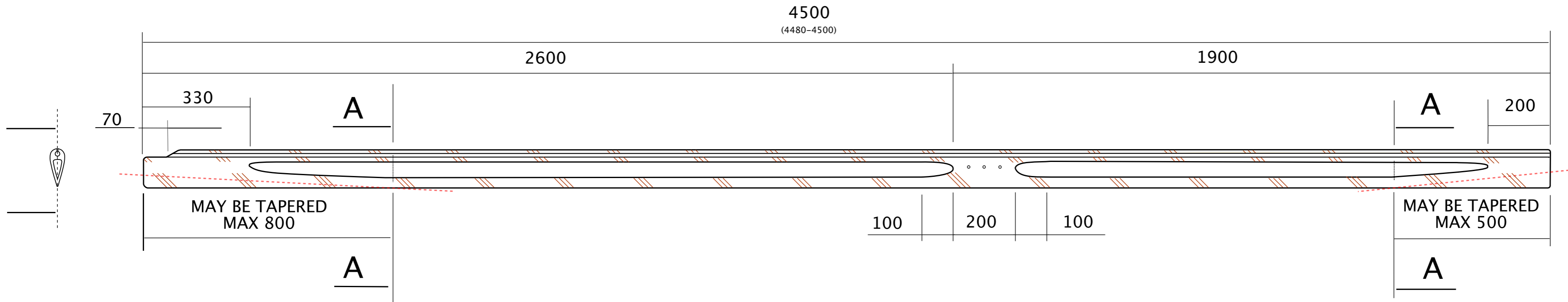
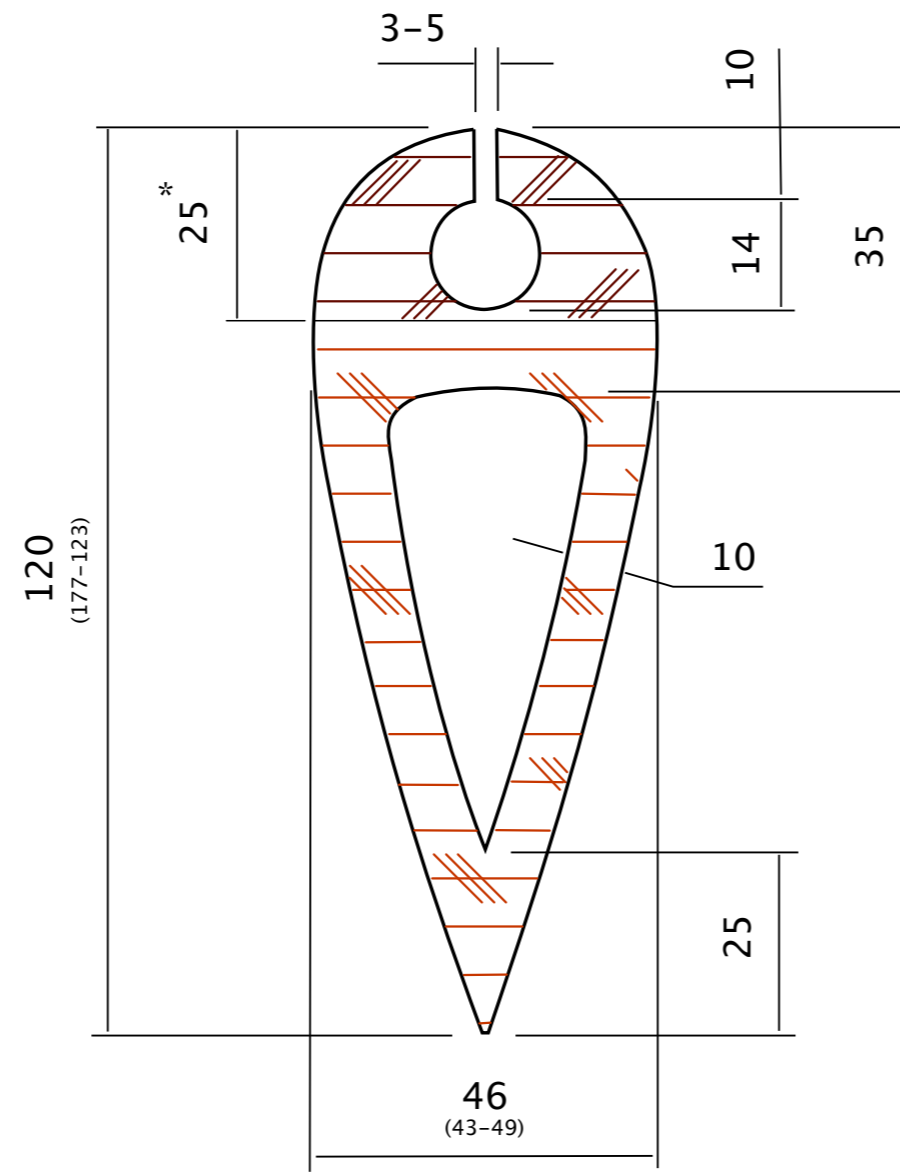



SCALE 1:10



SECTION A-A
SCALE 1:1
MODERN
RECTANGULAR



SECTION A-A
SCALE 1:1
CLASSIC
FAIR AND
CONTINIUS CURVE

		ALL DIMENSIONS IN MM		DO NOT SCALE DRAWING	REVISION: 02
				OWNER: IMXVIYRA	
	NAME	SIGNATURE	DATE	NOTES: THE CROSS SECTION CAN BE AS IN THE TWO SECTION A-A DRAWINGS OR ANYWHERE BETWEEN CLASSIC AND MODERN DESIGN. THE FWD 800 MM, AND THE AFT 500 MM CAN BE TAPERED AS SHOWN IN THE SIDEVIEW DRAWING	
DRAWN	J. KINBERG	<i>J. Kinberg</i>	2017-12-26		
CHK'D	D. SCHUTTE				
CHK'D	A. PADU				
APPV'D	B. ROST				
MFG				MATERIAL: CONIFER * LUFF GROVE MATERIAL IS OPTIONAL 25 MM	
Q-A					
				DWG:	BOOM_A2
				SCALE: 1:10, 1:1	SHEET: 1 OF 1

TITLE:
**MONOTYPE-XV
BOOM**

A2