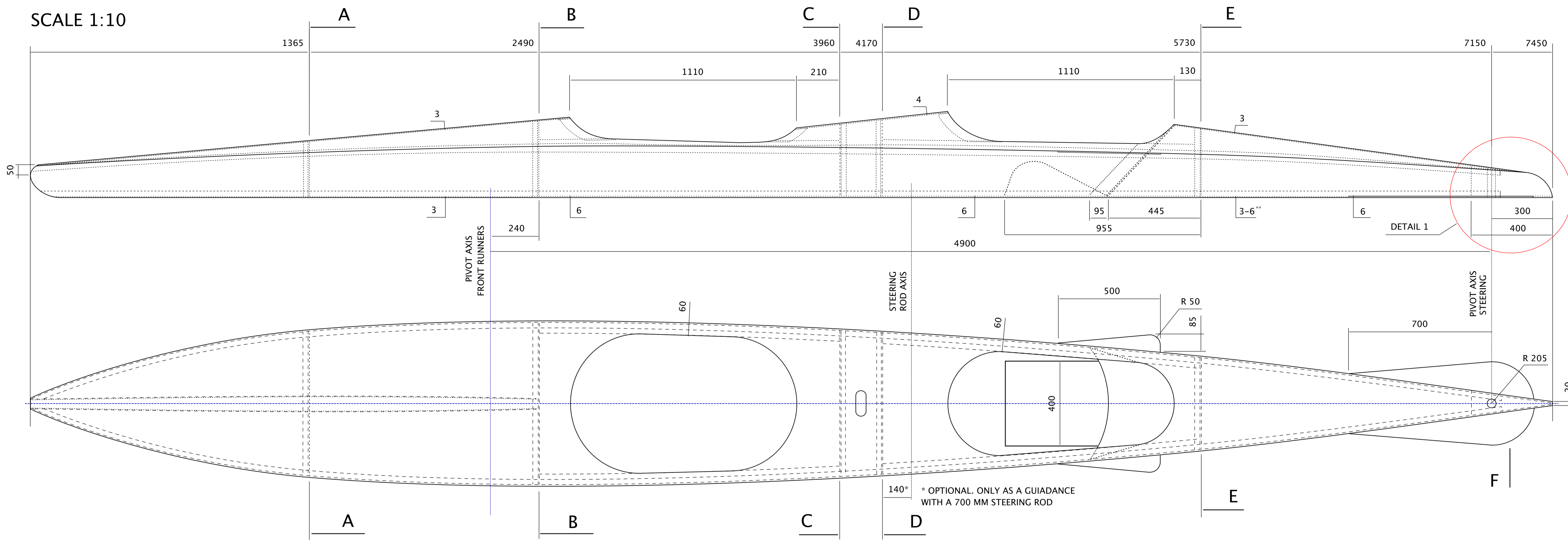
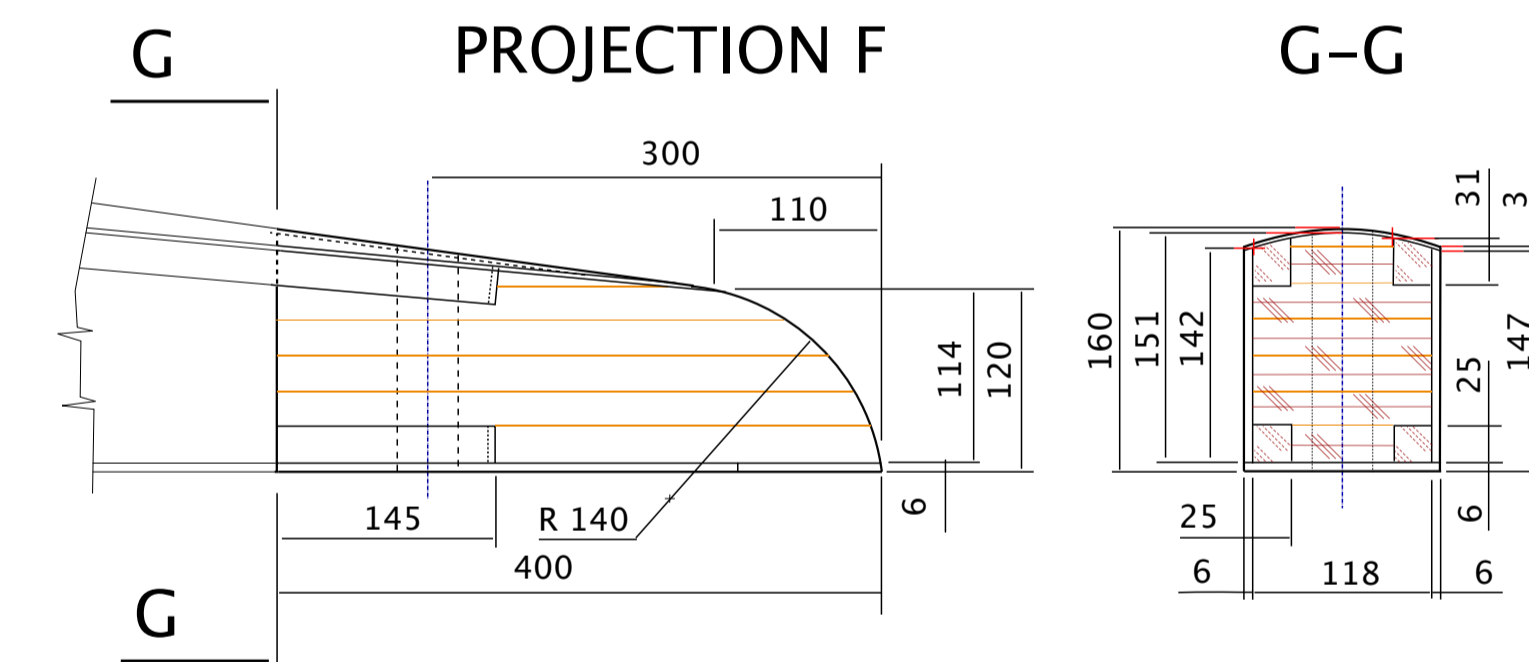
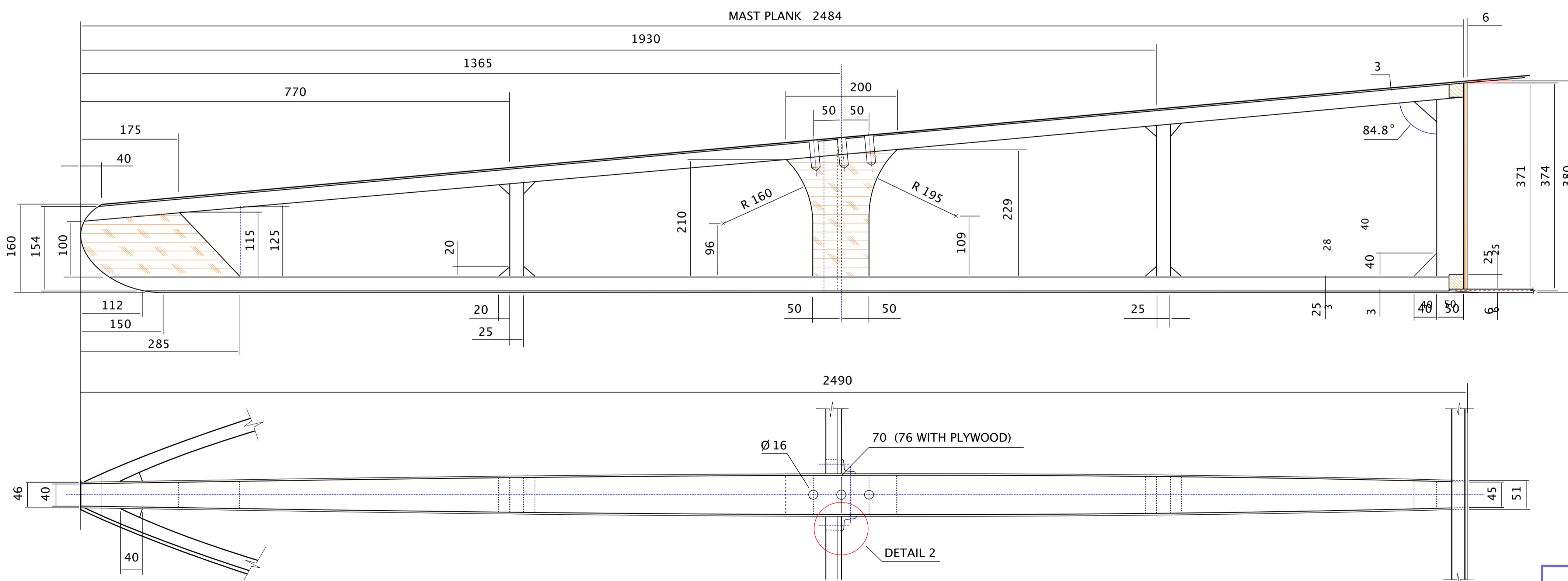


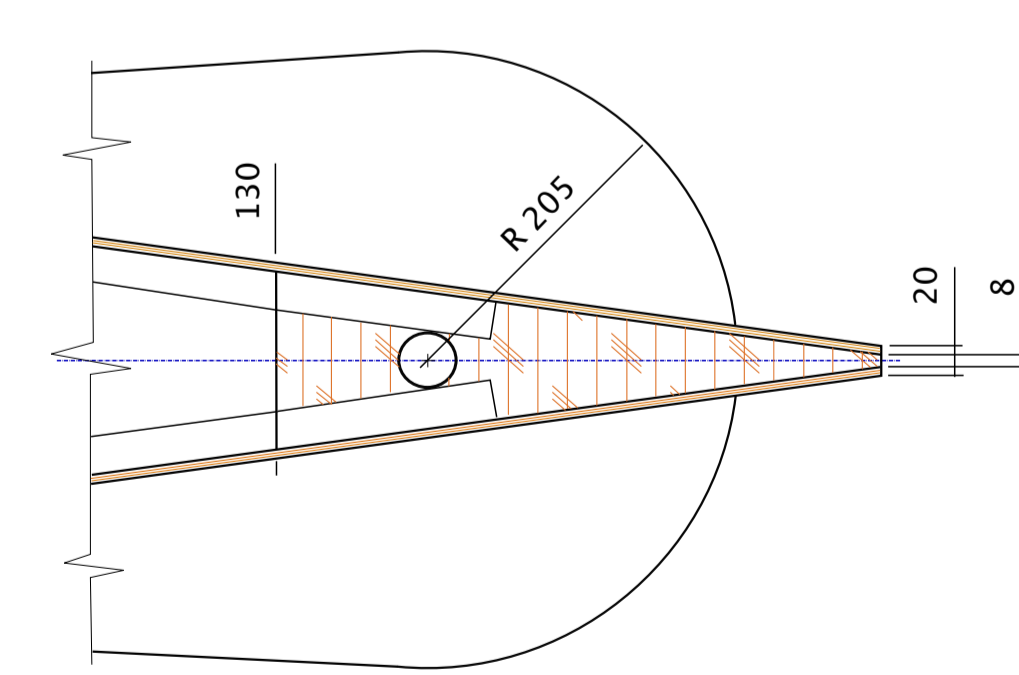
SCALE 1:10



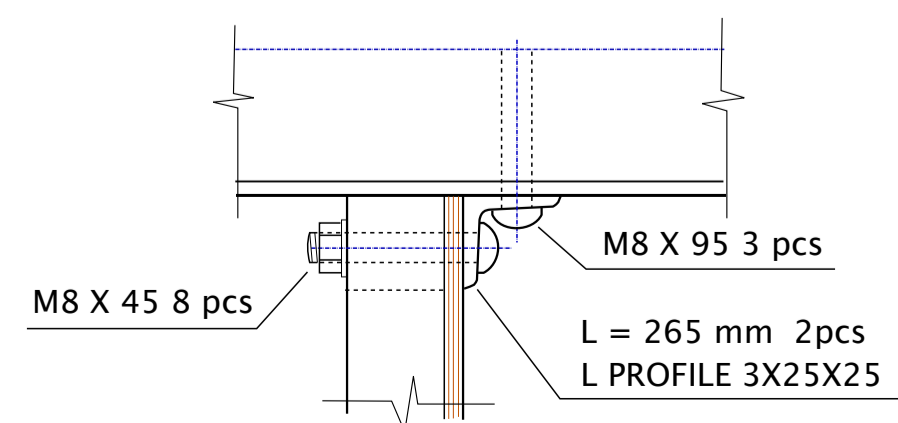
SCALE 1:5



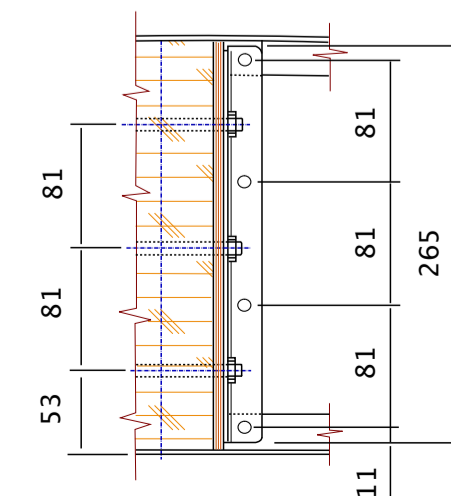
DETAIL 1  
SCALE 1:5




DETAIL 2  
SCALE 1:2



PROJECTION H  
SCALE 1:5



				ALL DIMENSIONS IN MM		DO NOT SCALE DRAWING	REVISION: 03
DRAWN J. KINBERG CHK'D D. SCHUTTE CHK'D A. PADU APP'VD B. ROST MFG QA				SIGNATURE <i>J. Kinberg</i> DATE 2017-12-28		OWNER: IMXVIYRA	
NOTES: * THE STEERING ROD AXIS IS OPTIONAL. THIS IS ONLY A GUIDANCE AND ONLY WORKS WITH 700 MM STEERING ROD. ** IF YOU USE 3 MM COCKPIT FLOOR, SEE DETAIL 3 ON SHEET 2.				MATERIAL: WOOD / PLYWOOD FIBERGLASS ON EDGE MAX 35 MM		TITLE: <b>MONOTYPE-XV FUSELAGE</b> DWG: FUSELAGE_MAST PLANK_A1	
						SCALE: 1:10/1:5/1:2 SHEET: 1 OF 2	

A1