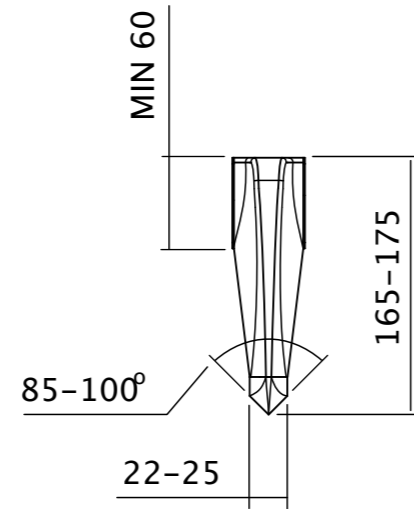
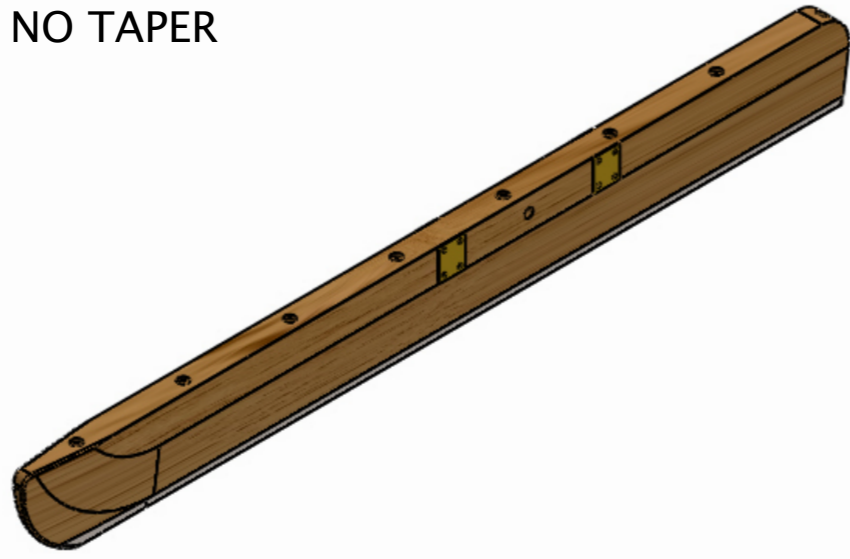
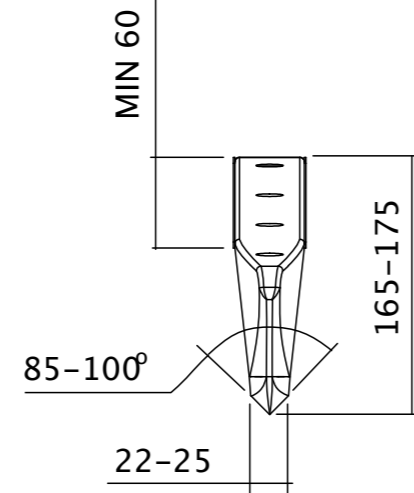
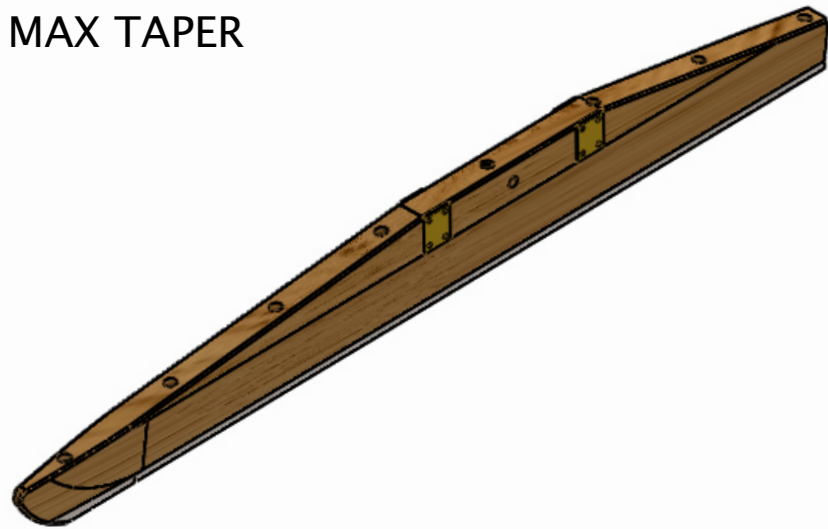


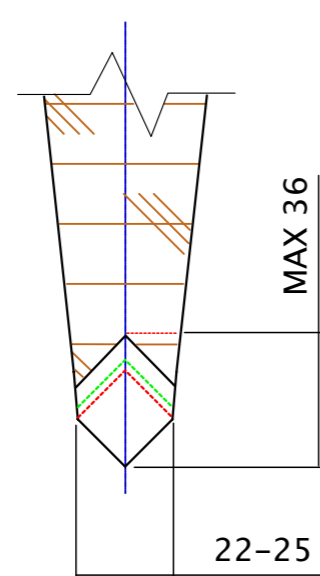
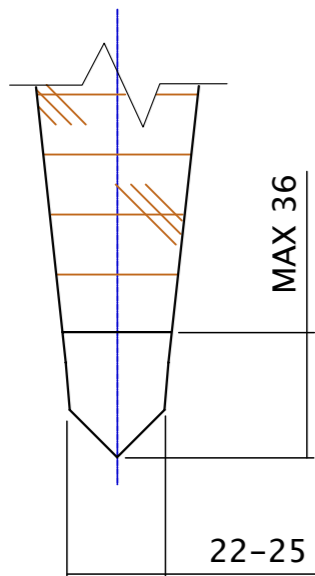
NO TAPER



MAX TAPER

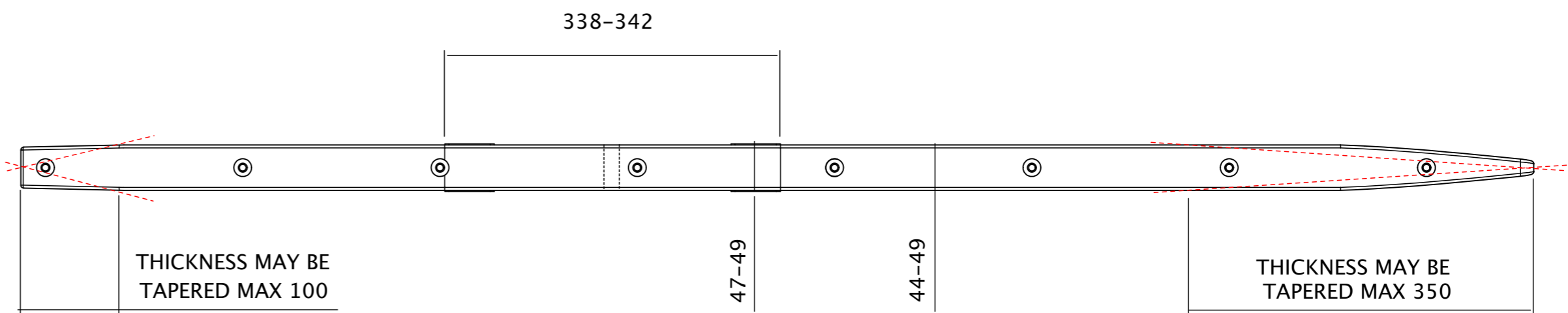
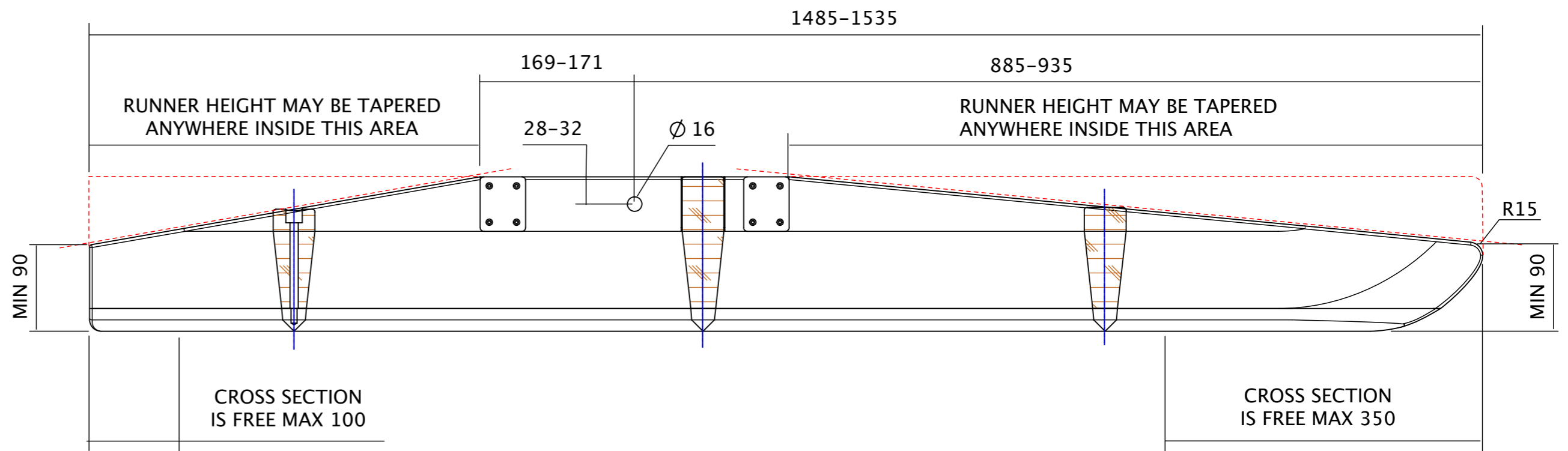
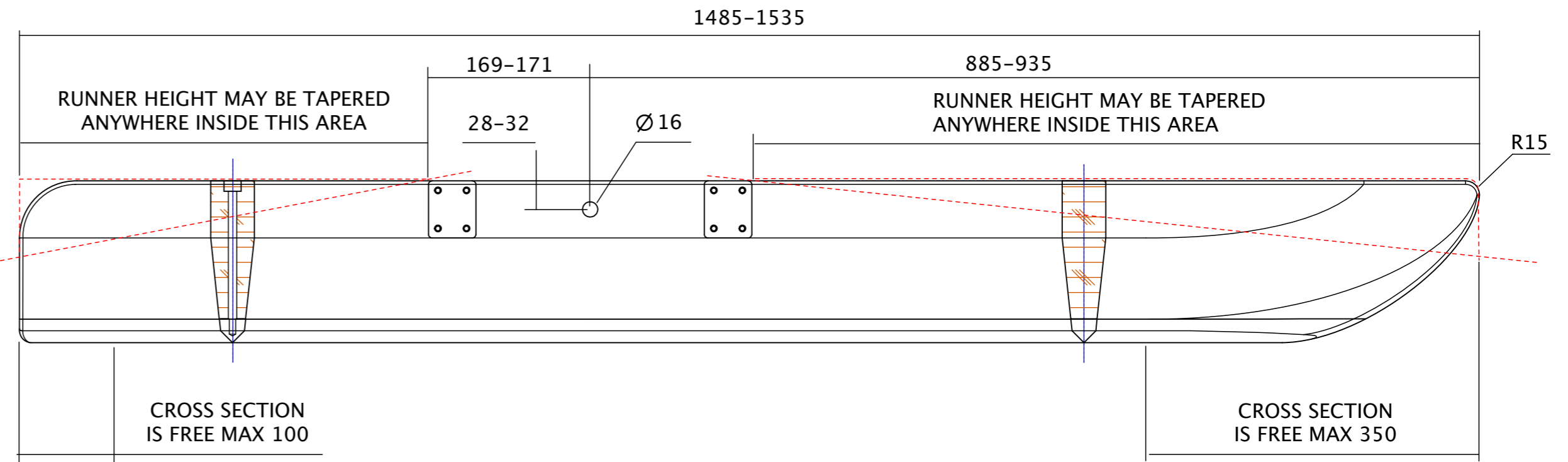



ALLOWED STEEL SHAPES  
SCALE 1:2



MACHINED  
STEEL

- 20X20 SQUARE BAR
- 18X18 SQUARE BAR
- MAX 25X25 SQUARE BAR



				ALL DIMENSIONS IN MM		DO NOT SCALE DRAWING	REVISION: 04
				OWNER: IMXVIYRA			
DRAWN	J. KINBERG	<i>J. Kinberg</i>	2017-12-17	NOTES: THE HEIGHT OF THE RUNNER CAN BE TAPERED ANYWHERE INSIDE THE RED DOTTED LINES, IN THE SIDE VIEW DRAWINGS. THE THICKNESS CAN BE TAPERED 350 MM IN THE FRONT AND 100 MM IN THE AFT. SEE TOP VIEW DRAWING MATERIAL: HARDWOOD MIN 650 KG/M. FIBERGLASS MAY BE ADDED STEEL	TITLE: <b>MONOTYPE-XV WOOD RUNNER</b>		
CHK'D	D. SCHÜTTE		2018-03-25		DWG: <b>WOOD FRONT RUNNER</b>		
CHK'D	A. PADU		2018-03-25		<b>A2</b>		
APPV'D	M. AKERBLAD		2018-06-04				
MFG	Q.A				SCALE: 1:5, 1:2	SHEET: 1 OF 2	