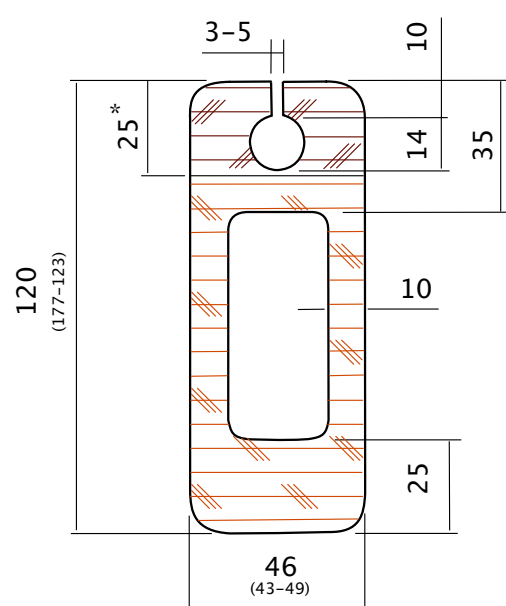
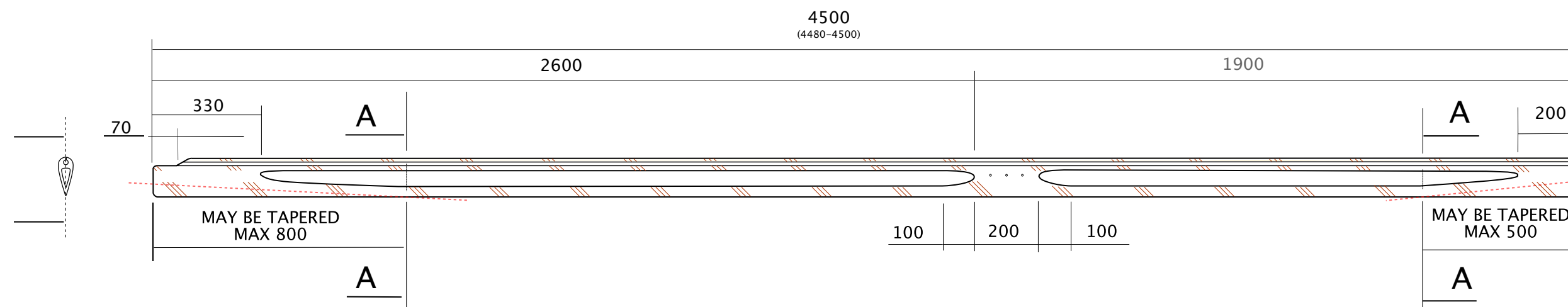
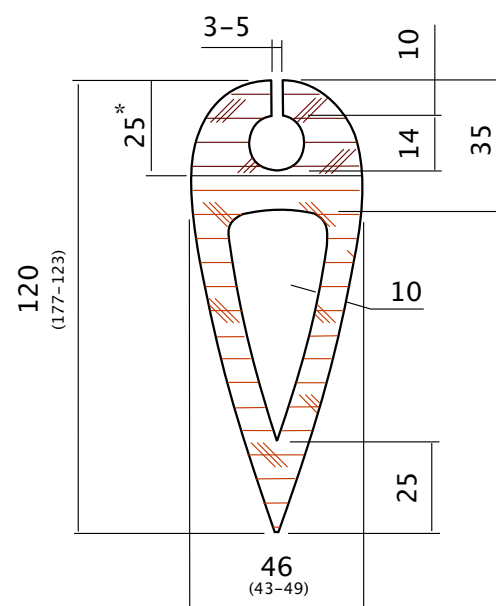



SCALE 1:15



SECTION A-A
SCALE 1:2
MODERN
RECTANGULAR



SECTION A-A
SCALE 1:2
CLASSIC
FAIR AND
CONTINIUS CURVE

		ALL DIMENSIONS IN MM		DO NOT SCALE DRAWING	REVISION: 02																			
		<table border="1"> <tr> <th>NAME</th> <th>SIGNATURE</th> <th>DATE</th> </tr> <tr> <td>DRAWN J. KINBERG</td> <td><i>J. Kinberg</i></td> <td>2017-12-17</td> </tr> <tr> <td>CHK'D D. SCHUTTE</td> <td></td> <td></td> </tr> <tr> <td>CHK'D A. PADU</td> <td></td> <td></td> </tr> <tr> <td>APPV'D B. ROST</td> <td></td> <td></td> </tr> <tr> <td>MFG</td> <td></td> <td></td> </tr> <tr> <td>Q.A</td> <td></td> <td></td> </tr> </table>		NAME	SIGNATURE	DATE	DRAWN J. KINBERG	<i>J. Kinberg</i>	2017-12-17	CHK'D D. SCHUTTE			CHK'D A. PADU			APPV'D B. ROST			MFG			Q.A		
NAME	SIGNATURE	DATE																						
DRAWN J. KINBERG	<i>J. Kinberg</i>	2017-12-17																						
CHK'D D. SCHUTTE																								
CHK'D A. PADU																								
APPV'D B. ROST																								
MFG																								
Q.A																								
NOTES: THE CROSS SECTION CAN BE AS IN THE TWO SECTION A-A DRAWINGS OR ANYWHERE BETWEEN CLASSIC AND MODERN DESIGN THE FWD 800 MM, AND THE AFT 500 MM CAN BE TAPERED AS SHOWN IN THE SIDEVIEW DRAWING				TITLE: MONOTYPE-XV BOOM																				
MATERIAL: CONIFER				DWC: BOOM_A3																				
* LUFF GROVE MATERIAL IS OPTIONAL 25 MM				SCALE: 1:15, 1:2																				
				SHEET: 1 OF 1																				

A3