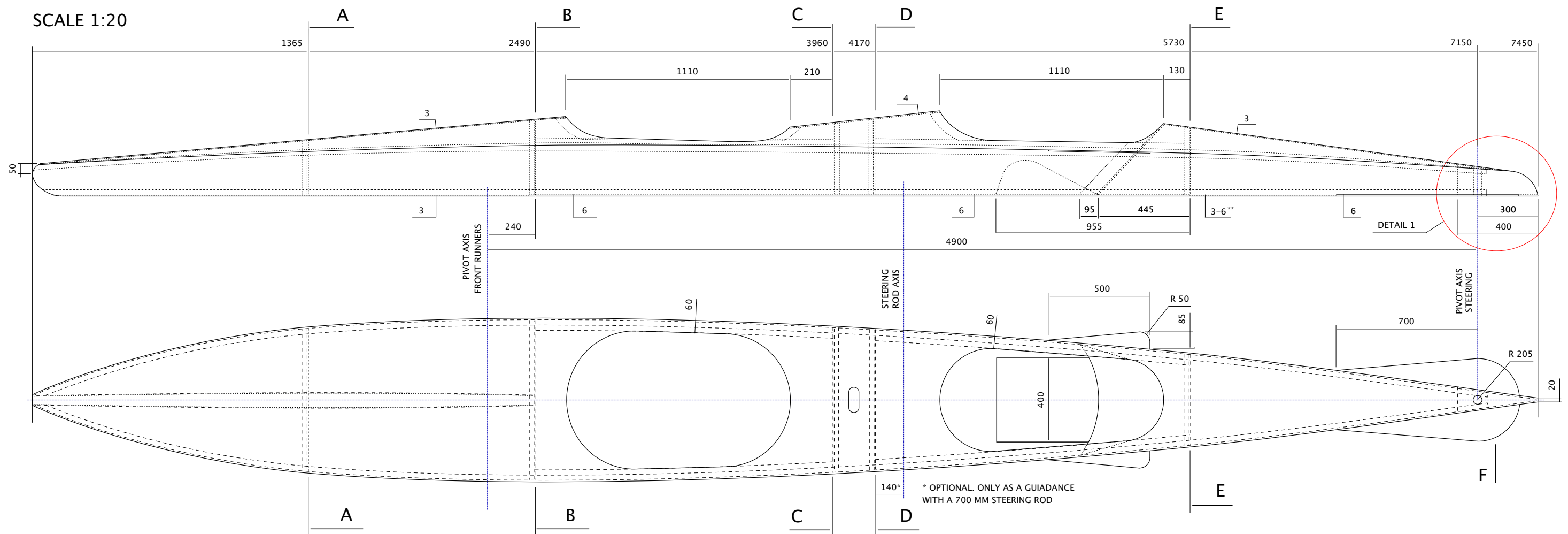
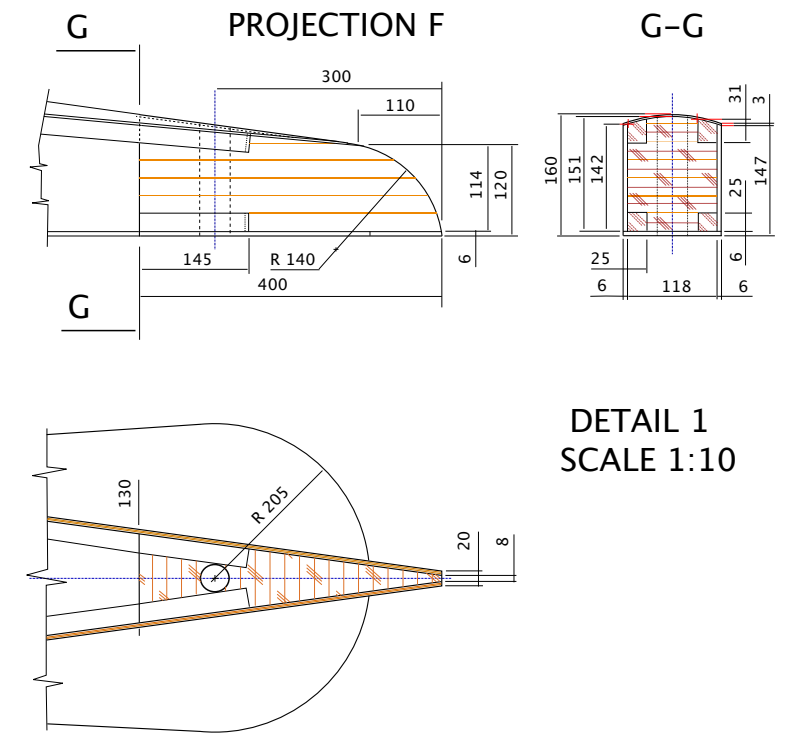
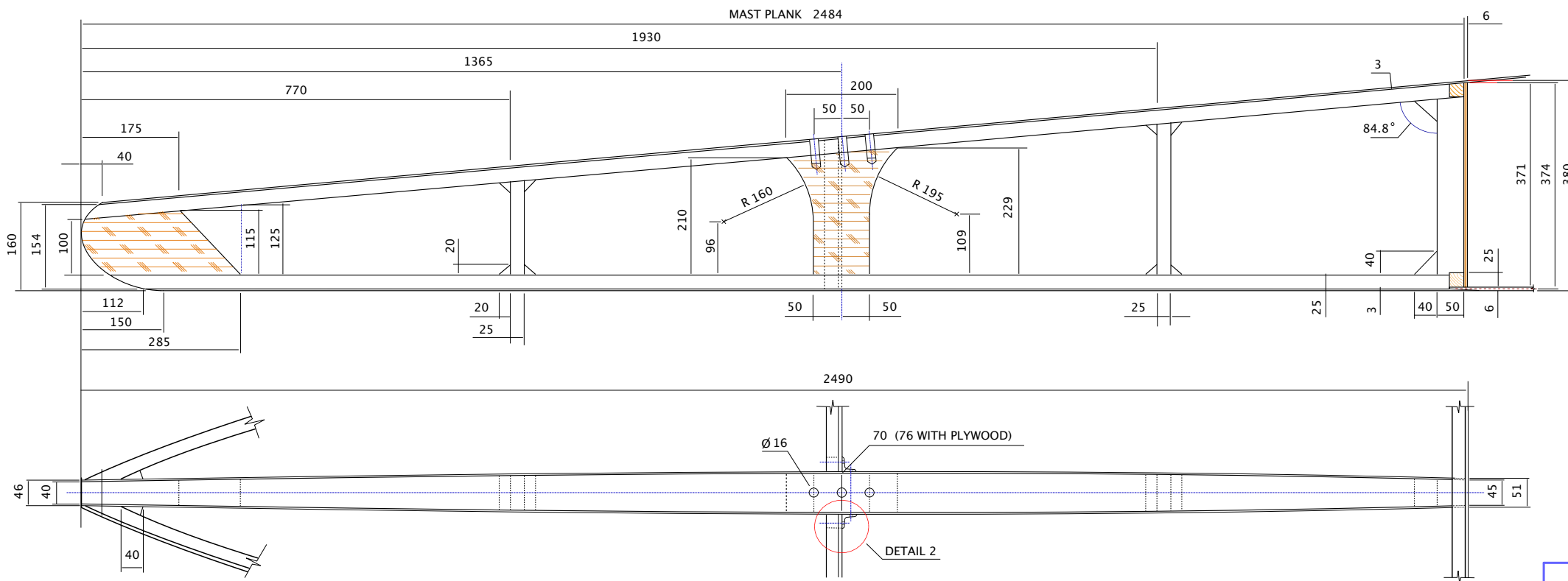


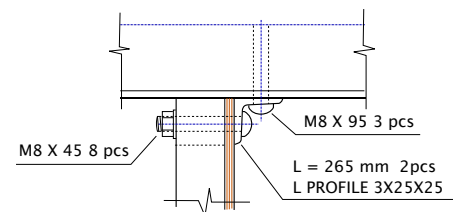
SCALE 1:20



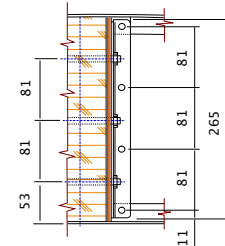
SCALE 1:10



DETAIL 2
SCALE 1:4



PROJECTION H
SCALE 1:10



IM-XV IYRA				ALL DIMENSIONS IN MM	DO NOT SCALE DRAWING	REVISION: 03
DRAWN	J. KINBERG	SIGNATURE	<i>J. Kinberg</i>	DATE	2017-12-28	OWNER: IMXVIYRA
CHK'D	D. SCHUTTE					TITLE: MONOTYPE-XV FUSELAGE
CHK'D	A. PADU					DWG: FUSELAGE_MAST PLANK_A3
APP'VD	B. ROST					SCALE: 1:20/1:10/1:4
MFG						SHEET: 1 OF 2
QA						A3
NOTES:				MATERIAL: WOOD / PLYWOOD FIBERGLASS ON EDGE MAX 35 MM		
* THE STEERING ROD AXIS IS OPTIONAL.						
THIS IS ONLY A GUIDANCE AND ONLY WORKS WITH 700 MM STEERING ROD.						
**IF YOU USE 3 MM COCKPIT FLOOR, SEE DETAIL 3, ON SHEET 2						