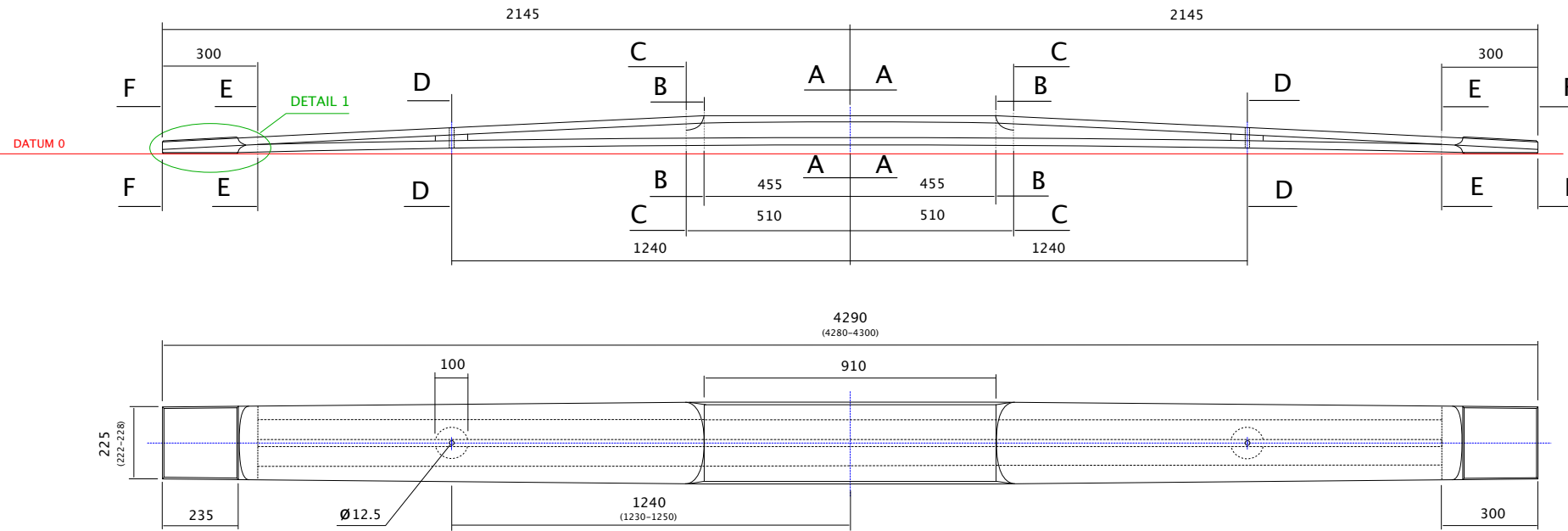
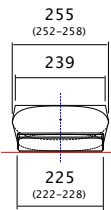
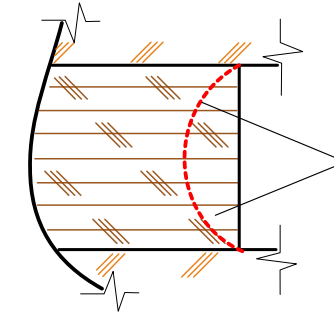


SCALE 1:20

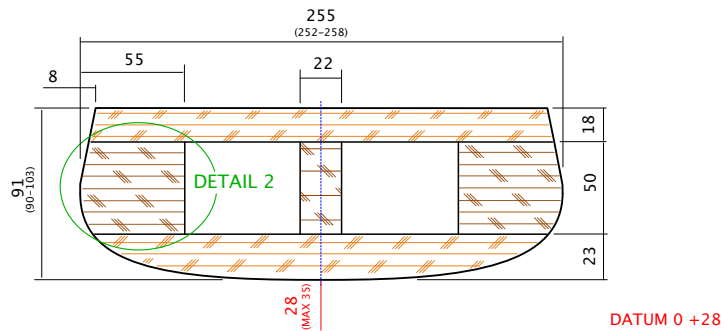


DETAIL 2
SCALE 1:2

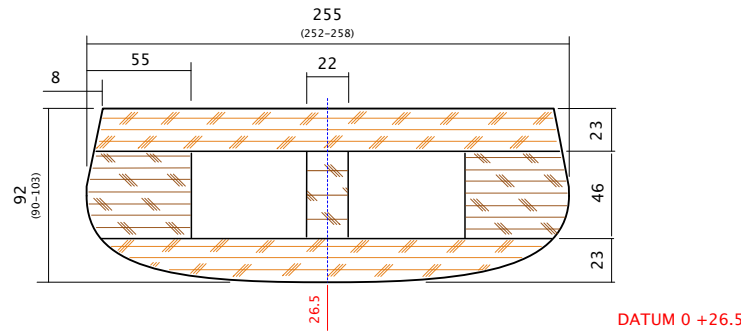


THE FORWARD AND AFT WEDGE CAN BE CONCAVE ON THE INSIDE TO MAKE IT SOFTER/LIGHTER

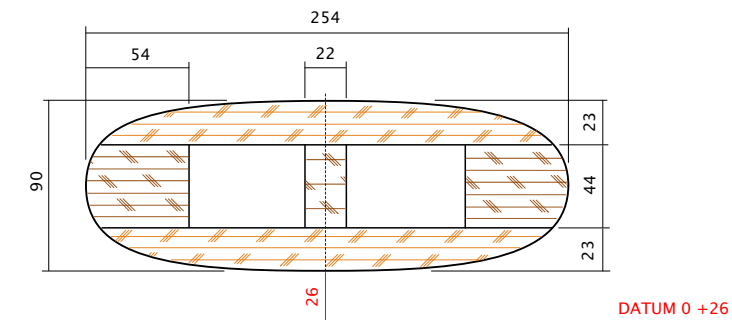
SECTION A-A
SCALE 1:4



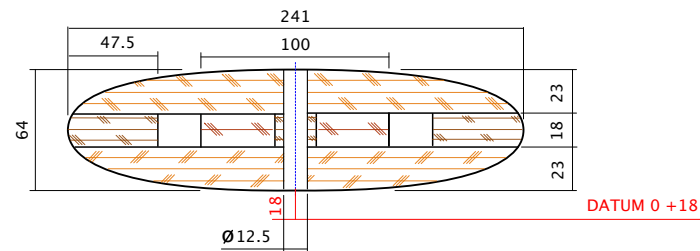
SECTION B-B
SCALE 1:4



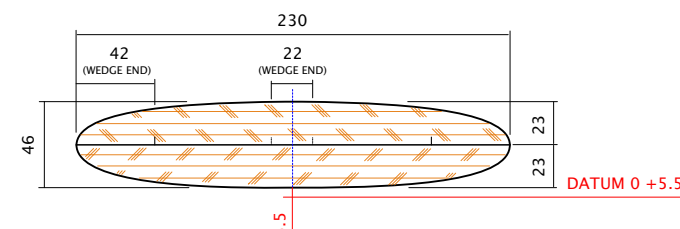
SECTION C-C
SCALE 1:4



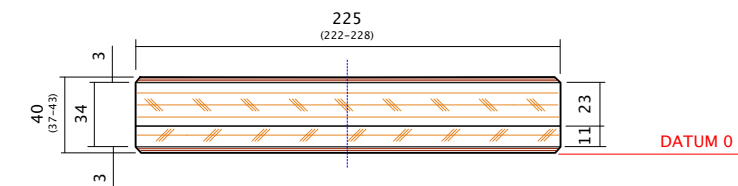
SECTION D-D
SCALE 1:4



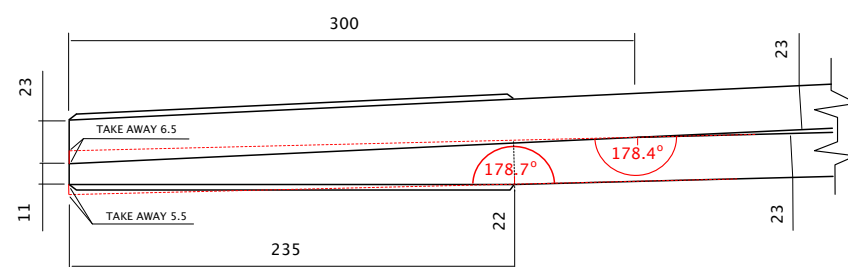
SECTION E-E
SCALE 1:4



SECTION F-F
SCALE 1:4



DETAIL 1
SCALE 1:4



		ALL DIMENSIONS IN MM		DO NOT SCALE DRAWING	REVISION: 01																					
		CONSTRUCTION IS OPTIONAL		OWNER: IMXVIYRA																						
<table border="1"> <thead> <tr> <th>NAME</th> <th>SIGNATURE</th> <th>DATE</th> </tr> </thead> <tbody> <tr> <td>J. KINBERG</td> <td><i>J. Kinberg</i></td> <td>2018-11-15</td> </tr> <tr> <td>D. SCHUTTE</td> <td></td> <td></td> </tr> <tr> <td>A. PADU</td> <td></td> <td></td> </tr> <tr> <td>B. ROST</td> <td></td> <td></td> </tr> <tr> <td>MFG</td> <td></td> <td></td> </tr> <tr> <td>Q.A</td> <td></td> <td></td> </tr> </tbody> </table>	NAME	SIGNATURE	DATE	J. KINBERG	<i>J. Kinberg</i>	2018-11-15	D. SCHUTTE			A. PADU			B. ROST			MFG			Q.A			<p>NOTES: RUNNERPLANK CONSTRUCTION IS FREE, AS LONG AS IT IS BUILT WITHIN THE SPECIFICATIONS. THE NUMBERS INSIDE THE PARENTHESES () IS THE MAX-MIN TOLERANCE, THAT THE CONSTRUCTION NEED TO STAY INSIDE.</p> <p>THIS PLANK WILL BEND ABOUT 9-10 MM WITH 100 KG AT THE CENTERLINE.</p> <p>MATERIAL: CONIFER (SPRUCE) FIBERGLASS IS NOT ALLOWED NON CONIFER PLYWOOD CAN BE USED IN CHOCK AREA.</p>		<p>TITLE: MONOTYPE-XV RUNNER PLANK</p>		<p>DWG: RUNNER PLANK_A3</p>
NAME	SIGNATURE	DATE																								
J. KINBERG	<i>J. Kinberg</i>	2018-11-15																								
D. SCHUTTE																										
A. PADU																										
B. ROST																										
MFG																										
Q.A																										
		<p>SCALE: 1:20, 1:4, 1:2</p>		<p>SHEET: 1 OF 1</p>																						